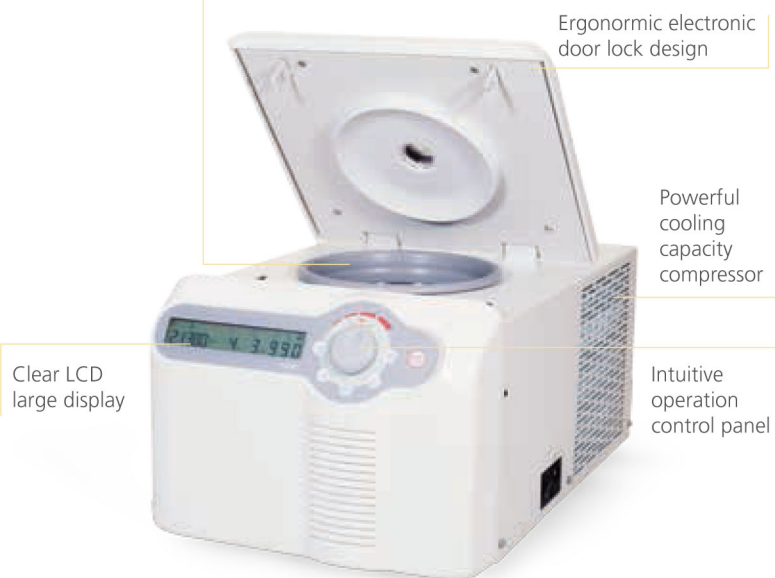


D1524R High-speed Refrigerated Micro Centrifuge

Features

- Ergonomic electronic lock design, the centrifuge lid can be closed with single finger touch
- Precooling, the compressor will automatically start cooling as long as the set temperature is lower than the ambient temperature.
- Sound indicator to prompt that the upper cover is closed to maintain the temperature inside the chamber, after centrifugation.
- Advanced R290 fluorine free refrigerant, low carbon and environmental protection.
- Temp range: -20°C- 40°C, fast and powerful cooling capacity, 7 minutes cooling from room temp to 4°C. Temp can kept at max speed.
- Up to 9 program storage capacity according to experimental needs.
- Three-layer sealed rotors ensure airtightness and biosafety.
- High-strength aluminum alloy withstand numerous high temperature and high pressure sterilizations.
- Five rotors with 0.2mL, 0.5mL, 1.5mL, 2mL and 5mL centrifuge tubes/ PCR tubes capacity.
- An external condensation tank prevents water accumulation within the centrifuge chamber.
- Rotor imbalance detection alarm.



Specifications

	D1524R
Max. Speed	15,000rpm (200-15,000rpm) in 100rpm increments.
Max. RCF	21,380×g, step: 10×g
Capacity	1.5/2mL×24, 0.5mL×36, PCR8×4, 5mL×12, 5mL×18.
Temperature setting	-20°C- 40°C
Run Time	30s-99 min; HOLD (continuous running)
Acceleration and deceleration time	25s ↑ 25s ↓
Motor Type	DC brushless motor
Safety Performance	Dual door lock, over-speed detection, over-temperature detection with Internal diagnosis system.
Power Requirements	Single-phase, 200V-240V, 50Hz/60Hz, 500W 100V-120V, 50Hz/60Hz, 500W
Noise	≤56dB
Dimensions(mm)	332(Width) × 553(depth) × 283(height)
Weight	30kg
Other functions	Rotation speed/RCF switchover, inching operation, running process indicator, sound alert. Acceleration/ deceleration in 9 steps, program storage capacity.



DLAB rotors are manufactured from military-industrial grade aluminum alloy with high mechanical strength for precise running and safety (excludes D2012 plus rotor)

- Every rotor can reach a max. speed of 15000rpm
- Rotors are seated on a tapered shaft, concentric and self-aligning, perfect to achieve running stability at high speeds
- D3024 & D1524R with three-layer sealed rotors/ anti- sample overflow prevents accidental leakage and risk free centrifugal process
- microbial contamination. D3024 & D3024R rotors have passed MCA test according to IEC/EN61010-2-20, including mechanical safety and bio-safety tests
- High strength aluminum alloy rotors are fully autoclavable and provide unlimited service life (D2012 plus rotor not included)
- Powerful cooling system minimizes rotor heating. D3024 rotors heat up to > 10°C and D2012 rotors less than 8°C after running an hour

Seals within the aluminum alloy rotor

Rotor Features

Fully autoclavable

High strength aluminum alloy rotors are fully autoclavable, withstanding steam sterilizing at 121°C for 20 minutes, with unlimited service life.

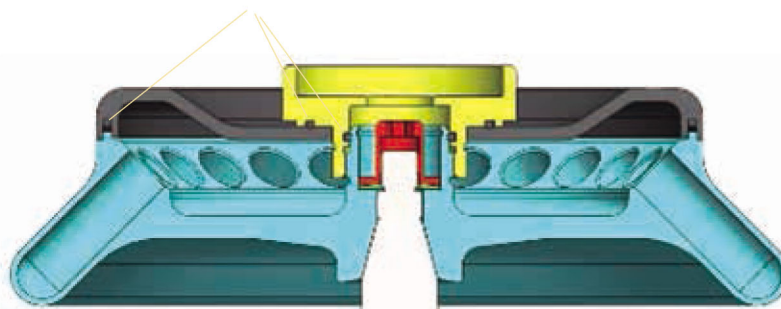
Three-layer seal

Aspired to be the top-of-the-line model, D3024 & D3024R rotors are designed to prevent sample leakage. Each and every rotor is hermetically sealed by three rubber seals.

Mechanical safety

DLAB centrifuges are constructed under MCA conditions according to IEC/EN61010-2-20, causing disruption by partially cutting and overloading rotor assembly, and guarantee that no part shall be detached to cause danger to person or the environment.

Three rubber seals fitted to achieve bio-safe condition



Available rotors



Cat. No. 19400006

AS24-2
for D3024 & D1524R

Max. speed: 15000rpm
 Max. RCF: 21380xg
 Rotor capacity: 2mL/1.5mLx24/0.2mLx24/0.5mLx24
 Rotor material: Aluminum alloy
 Bio-safe(Bio sealing): Yes
 Available rotor adapters: A02P2,A05P2



Cat. No. 19400032

AS12-V5
for D3024 & D1524R

Max. speed: 15000rpm
 Max. RCF: 21380xg
 Rotor capacity: 5mLx12(Cone bottom)
 Rotor material: Aluminum alloy
 Bio-safe(Bio sealing): Yes



Cat. No. 19400007

AS36-05
for D3024 & D1524R

Max. speed: 15000rpm
 Max. RCF: 21380xg
 Rotor capacity: 0.5mLx36,0.2mLx36
 Rotor material: Aluminum alloy
 Bio-safe(Bio sealing): Yes
 Available rotor adapters: A02P05



Cat. No. 19400008

AS4-PCR8
for D3024 & D1524R

Max. speed: 15000rpm
 Max. RCF: 21380xg
 Rotor capacity: 0.2mL/PCR8x4
 Rotor material: Aluminum alloy
 Bio-safe(Bio sealing): Yes



AS18-5
for D3024 & D1524R

Cat. No. 19400012

Max. speed :15000rpm
Max. RCF:21380×g
Rotor capacity:5mL×18 (Round bottom)
Rotor material:Aluminum alloy
Bio-safe(Bio sealing):Yes

Available adapters



A02P2

Cat. No. 19500001

0.2mL rotor adapter
Used with A12-2, A12-2P, AS24-2 and A24-2P rotors
24pcs/pk



A05P2

Cat. No. 19500002

0.5mL rotor adapter
Used with A12-2, A12-2P, AS24-2 and A24-2P rotors
24pcs/pk



A02P05

Cat. No. 19500003

0.2mL rotor adapter
Used with AS36-05 rotor
36pcs/pk

Model	Rotor model	Capacity	Hole diameter(mm)	Hole depth (mm)	Max. tube length (mm)
D2012plus	A12-2P	2×12	11.2	39	47
	AS24-2	2×24	11.2	40.5	54.2
	AS36-05	0.5×36	8.2	29.3	36
D3024 D1524R	AS4-PCR8	0.2×32	6.5	20.4	36
	AS18-5	5×18	13.7	39	56.5
	AS12-V5	5×12	17.5	44	56.5