

Electrophoresis Power Supply



HT-600C



HT-600D

Universal Power Supply

Input range: 110-250V, suitable for use in different countries

Four sets of output jacks: High current can connect four electrophoresis tanks simultaneously

Type of Output: constant voltage, constant current, and constant power, continuously adjustable

Output range: HT-600C: 5-600V 1-600mA 5-300W

HT-600D: 5-600V 1-1200mA 5-500W

Increment: Voltage (1V) Current (1mA) Power (1W)

Timing range: 1 minute to 99 hours and 59 minutes

Temperature detection: -20 °C~+85 °C

Step-by-step control function: editable 10 groups, each group of up to make 10 program automatic connection operation Protection function: when overcurrent, overload, over temperature, no load, short circuit

Micro current: After timed operation, unmanned shutdown can maintain micro current output

Display screen: 7-inch large touch screen, automatic generation of Numeric keypad during setting, display timing, temperature, operation status and various prompt operations

Automatic setting: When a certain indicator of constant voltage, current, and power is set, the other two items automatically increase to the maximum value, No need for manual adjustment.

External dimensions: 30 * 30 * 13cm



Electrophoresis Power Eupply



HT-500HC

Universal Power Supply

Input range: 110-250V, suitable for use in different countries

Four sets of output jacks: High current can connect four electrophoresis tanks simultaneously

Type of Output: constant voltage, constant current, and constant power, continuously adjustable Type of

Output: 5-500V 1-3000mA 5-500W

Increment: Voltage (1V) Current (1mA) Power (1W)

Timing range: 1 minute to 99 hours and 59 minutes

Temperature detection: -20 °C~+85 °C

Step-by-step control function:editable 10 groups, each group of up to make 10 program automatic connection operation

Protection function: when overcurrent, overload, over temperature, no load, short circuit

Micro current: After timed operation, unmanned shutdown can maintain micro current output

Display screen: 7-inch large touch screen, automatic generation of Numeric keypad during setting, display timing, temperature, operation status and various prompt operations

Automatic setting: When a certain indicator of constant voltage, current, and power is set, the other two items automatically increase to the maximum value, No need for manual adjustment.

External dimensions: 30 * 30 * 13cm



Electrophoresis Power Supply



HT – 300

- This product is suitable for commonly used electrophoresis experiments such as horizontal and vertical transfer printing
- The shell is made of high-strength flame-retardant material and molded in one injection molding process
- Exquisite appearance and small volume, saving space for the experimental platform
- High stability during arbitrary switching of constant voltage and current
- Simple and fast parameter settings
- Silicone button, insulation, aging resistance, and clear touch
- Three digit high-definition LED displays various indicators
- Automatic detection and error reporting of various fault phenomena
- Can carry four identical electrophoresis tanks at once
- The output is accurate and stable, without fluctuations

Technical parameter

Output voltage: 10-300V, minimum adjustable 1V

Output current: 4-400mA, minimum adjustable 1mA

Accuracy : $\pm 1V/\pm 1mA$

Timing range: 1-999min

Electrophoresis Power Eupply



HT-ECP3000

High voltage electrophoresis power supply

- This product is suitable for large and medium-sized horizontal and vertical electrophoresis, sequencing, bidirectional
- Commonly used electrophoresis such as isoelectric focusing.
- Output type: constant voltage, constant current, constant power, continuously adjustable
- Display: LCA display screen with backlight (128 * 64 pixels)
- Microprocessor intelligent control has:
 - Overload, no-load, leakage and other protective functions
 - Can store 10 commonly used electrophoresis programs
 - Automatic memory function
 - Standard and timed operation function
 - Automatic judgment function
 - Constant voltage, constant current, and constant power intelligent prompts

Technical parameter

Output range: 20-3000V, 1-200mA,
1-200W

Resolution: voltage 1V, current 1mA, power 1W

Timing range: 1 minute to 99 hours and 59 minutes

Trans-Blot Turbo



HT1000TBT



All-round semi-dry transfer system

The transfer system perfectly integrates the traditional transfer technology, which can complete the transfer of protein from gel to membrane in the shortest time, and the operation is very simple. The system has a built-in high-current power supply, which can directly control the current between the titanium anode and the stainless steel cathode, and can achieve efficient and rapid transfer in a short time. The complete system is ready-to-use, allowing researchers to get results faster and easier.

Transfer 1 – 4 mini gels or 1 – 2 midi gels in a single run

High transfer efficiency, customizable transfer conditions and compatibility with traditional semi-dry consumables 7-inch touch LCD screen display, touch buttons for easy setting and operation, real-time display

Transfer conditions and running status.

25 running programs can be stored for custom editing

Technical parameter

Maximum output voltage: 0-25V (1V increments)

Maximum output current: 0-2.5A (0.1A increments)

Transfer plate size: 18.0 x 14.5 cm

Standard configuration

Name	Qty
main engine	1
Transfer plate	2
Bubble roll	1

Western Blot-GELL

Protein and transfer electrophoresis



HT – Mini Plus WB- protein transfer system

- This product is a device for vertical electrophoresis of a small amount of nucleic acid and protein samples
- The integrated design of the glass plate and the gasket ensures no glue leakage
- Can run two 8.3 × 7.3cm gels at the same time
- Special glue making device, simple and reliable operation
- Silicone sealing pad, anti-aging and durable
- Open the cover and cut off the power to ensure the safety of the experiment
- The limit function of the upper cover ensures that the positive and negative electrodes will not be installed incorrectly
- 99.99% high-purity platinum electrode, the best electrical conductivity, anti-corrosion and aging
- Equipped with a variety of thickness specifications rubber plate and sample comb to meet different experimental requirements
- It can be used together with HT-ZY02

Technical Parameters

Gel size: 8.3 × 7.3cm

Gel thickness: 0.75, 1.0, 1.5mm (optional)

Option tooth number of sample comb: 10, 15

Glass size: short glass plate (10.1x7.3cm) ; long glass plate (10.1x8.2cm)

Transfer size: 110* 90mm

Timing range: 0-999min

Standard configuration :

Parts name		Qty
Lid((powersupply)	set	1
Bottom tank	pc	1
Electrode core	set	1
Gel glass thick plate	pc	5
Gel glass thin plate	pc	5
10-well comb	pc	2
15-well comb	pc	2
Gel casting stand	pc	2
Casting Frame	pc	2
Single gel baffle	pc	1
Gel Releaser	pc	1
Cool glass frame	pc	1
Transfer core	set	1
Gel Holder Cassette	pc	2
Ice Cooling Unit	pc	1
Blue Cooling Unit	pc	1
bubble roller	pc	1
Power cable	pc	1
Quick Gel Trial	pc	1
Quick transfer buffer Trial	pc	1

Protein and transfer electrophoresis

Western Blot-GELL



HT-Mini01
Vertical electrophoresis tank (double plate)



HT-ZY02
Transfer electrophoresis tank

- This product is a device for vertical electrophoresis of a small amount of protein samples
- The integrated design of the glass plate and the gasket ensures no glue leakage
- Can run two 8.3x 7.3cm gels simultaneously
- Separate glue making device, simple and reliable operation
- Silicone sealing pad, anti-aging and durable
- Open the cover and cut off the power to ensure the safety of the experiment
- The limit function of the upper cover ensures that the positive and negative electrodes will not be installed incorrectly
- 99.99% high-purity platinum electrode, best electrical conductivity, anti-corrosion and aging
- Equipped with a variety of thickness specifications rubber plate and sample comb to meet different experimental requirements

Technical Parameters

Gel size: 8.3x7.3cm

Gel thickness: 0.75, 1.0, 1.5mm (optional)

Option tooth number of sample comb: 10, 15

Parts name	Unit	Qty
Lid with cables	set	1
Bottom tank	pc	1
Transfer core	set	1
Gel glass thick plate	pc	5
Gel Glass thin plate	pc	5
10-well comb	pc	2
15-well comb	pc	2
Gel casing stand	pc	2
Casing frame	pc	2
Single Gel Baffle	pc	1
Gel Releaser	pc	1
Cool glass frame	pc	1

Note: The default preparation of 1.0 mm thick gel

- This product is suitable for fast and high-quality transfer of small protein gels
- The tank body is made of highly transparent polycarbonate material, which is one-time injection molding, no leakage and impact resistance
- Positive electrodes are separated by 4cm to generate a strong electric field for efficient protein transfer
- 99.99% high-purity platinum electrode, better conductivity, corrosion resistance and aging
- Multiple security designs to avoid security issues caused by improper operation
- Built-in ice box or blue cooling box is optional to quickly absorb the heat generated during electrophoresis
- Special open gel Holder Cassette, easy to operate
- Can transfer two 83*73mm gels at the same time
- Used together with HT-MINI01, 04
- Equipped with a special bubble roller for easy removal of bubbles
- Effective transfer gel area: 110×90mm

Parts name	Unit	Qty
Lid with cables	set	1
Bottom tank	pc	1
Transfer core	set	1
Gel Holder Cassette	pc	2
Ice cooling unit	pc	1
Blue cooling unit	pc	2
Bubble roller	pc	1

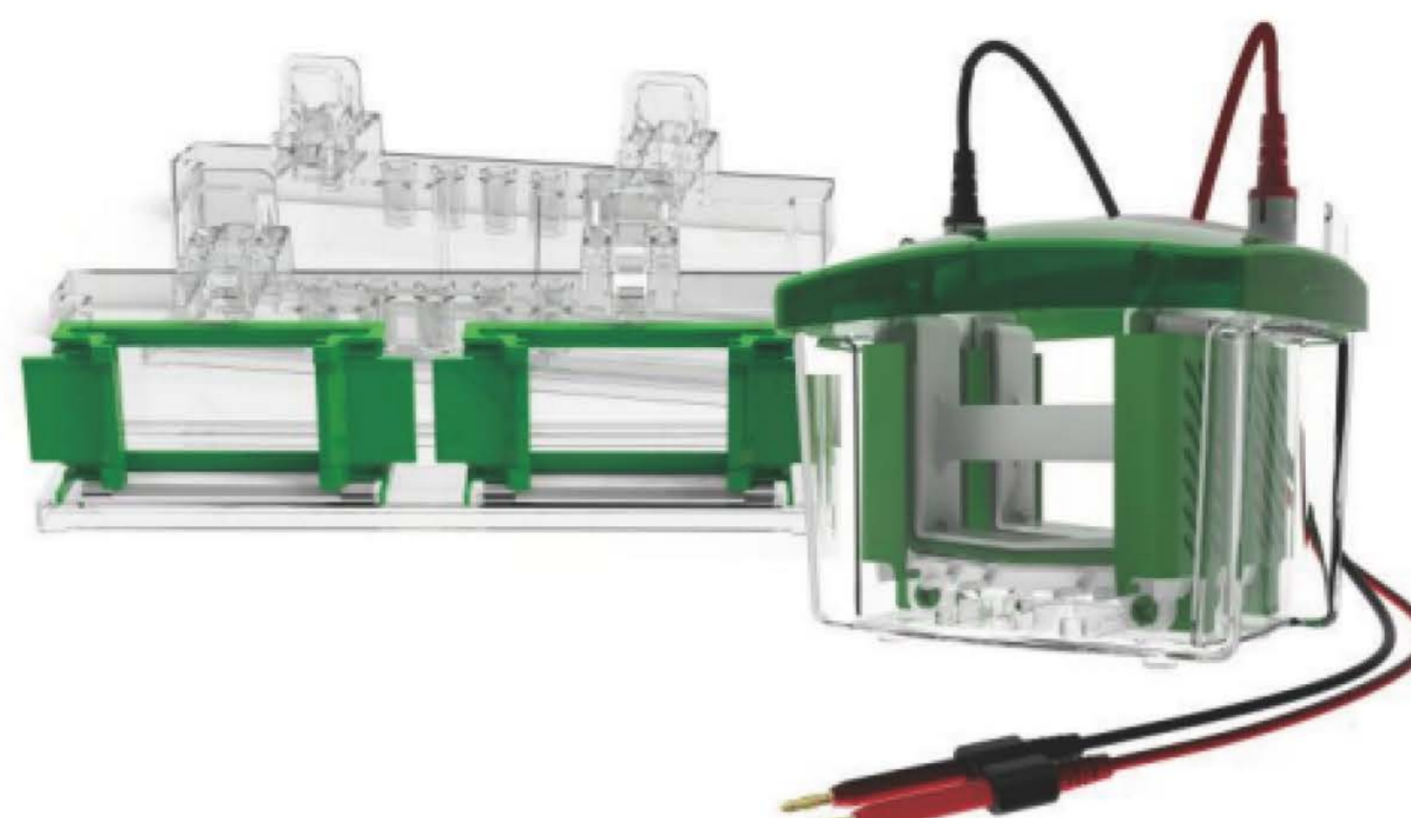
Supporting power supply: HT-300 basic power supply

Protein and transfer electrophoresis

Western Blot-GELL



HT-ZY03
Transfer electrophoresis tank (transfer two gel)



HT-Mini04
Vertical electrophoresis tank (four plates)



HT-ZY04
Transfer electrophoresis tank (transfer four gel)

- The edge gasket is permanently fixed on the long glass plate to ensure the precise alignment of the glass plate and prevent glue leakage;
- The cam-lock Gel frame is easy to operate and can precisely align the glass plate on any plane;
- Special plastic electrophoresis combs do not inhibit gel polymerization Built-in ridges avoid air contact, ensure uniform gel polymerization;
- The long glass plate with edge gasket is thickened so that the glass plate is not easy to break;
- The one-piece gel filling rack is arranged in parallel, and two gels can be observed at the same time
- SDS-PAGE electrophoresis time: 45 minutes (200V constant voltage);
- High-purity platinum electrode wire to achieve the best electrical conductivity;
- The parameters and accessories of this product are fully compatible with imported similar products
- This product is compatible with HT-ZY02 for blot transfer

Technical Parameters

Number of gels: 1-4 pieces

Gel thickness: 0.75, 1, 1.5mm

Option tooth number of sample comb: 10, 15

Glass size: short glass plate (10.1x7.3cm); long glass plate (10.1x8.2cm)

Gel size: hand-cast gel (8.3x7.3cm); precast gel (8.6x6.8cm)

Parts name	Unit	Qty
Lid with cables	Set	1
Bottom tank	pc	1
Electrode main core	Set	1
Electrode sub-core	Set	1
Gel glass thick plate	pc	5
Gel Glass thin plate	pc	5
10-well comb	pc	5
Gel casing stand	pc	2
Casing frame	pc	4
Single Gel Baffle	pc	1
Gel Releaser	pc	1
Cool glass frame	pc	1

- HT-ZY03 and HT-ZY04 are suitable for fast and high-quality transfer of small protein gels

- The tank body is made of highly transparent polycarbonate material - one injection molding, no leakage and impact resistance

- HT-ZY03 type, can transfer two pieces of 83*73mm gel at the same time HT-ZY04 type, can transfer four pieces of 83*73mm gel at the same time

- The distance between the positive and negative electrodes is 4-5.5cm to generate a strong electric field for efficient protein transfer

- 99.99% high-purity platinum electrodes, better electrical conductivity, anti-corrosion and aging

- Built-in blue cooling box to quickly absorb the heat generated during electrophoresis

- Special open Gel Holder Cassette, easy to operate

- Equipped with a special bubble roller, easy to remove bubbles

- Effective transfer gel area: 110x 90mm

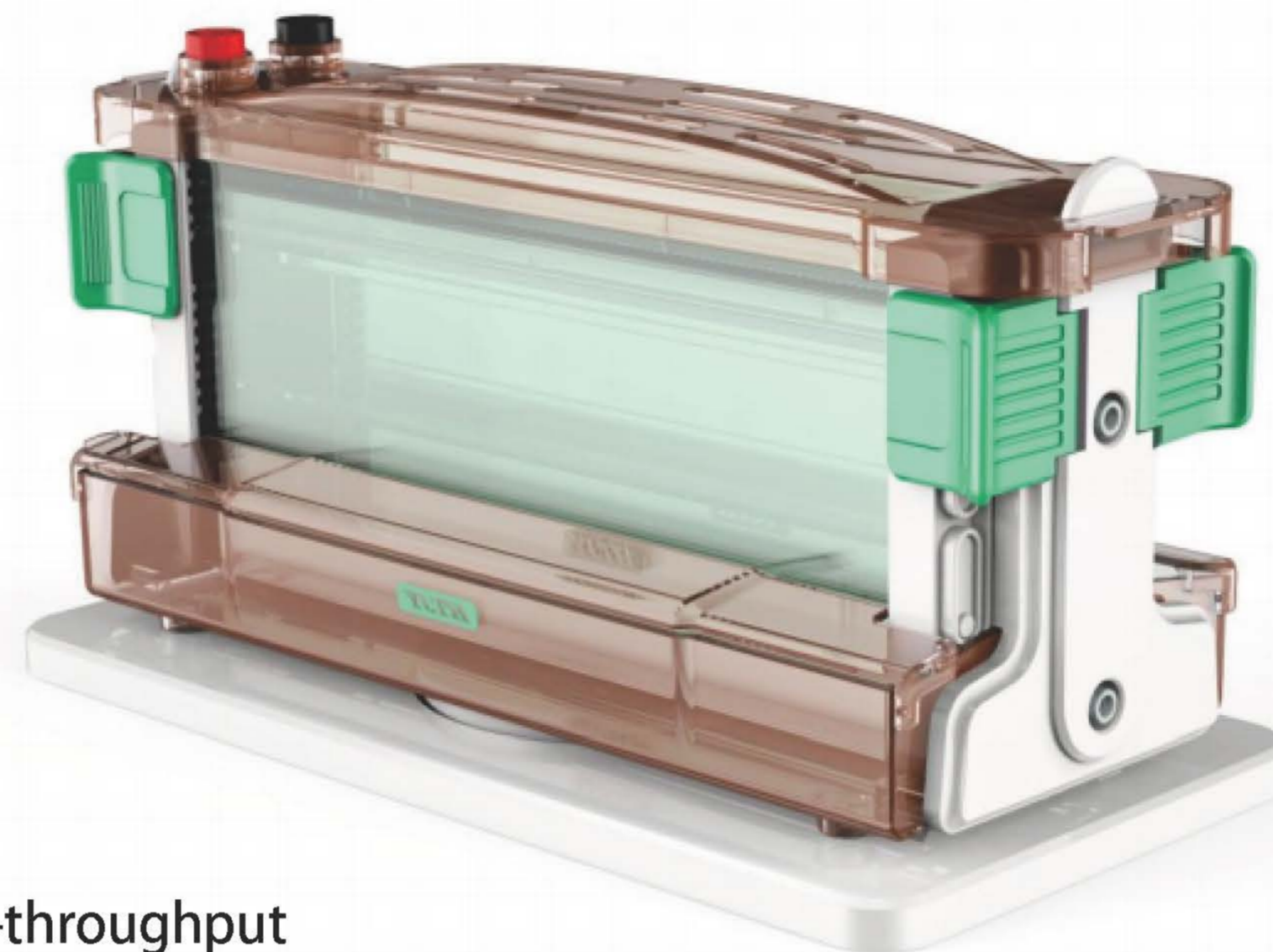
HT-ZY03

Parts name	Unit	Qty
Lid with cables	Set	1
Bottom tank	pc	1
Transfer core	Set	1
Gel Holder Cassette	pc	2
Transfer cotton	pc	4
Blue cooling unit	pc	1
Bubble roller	pc	1

HT-ZY04

Parts name	Unit	Qty
Lid with cables	Set	1
Bottom tank	pc	1
Transfer core	Set	1
Gel Holder Cassette	pc	4
Transfer cotton	pc	8
Blue cooling unit	pc	1
Bubble roller	pc	1

High throughput electrophoresis



HT-Scz04B

- Suitable for rapid SSR experiments with molecular markers and other high-throughput protein electrophoresis
- Polycarbonate one-time injection molding, high transparency, high impact resistance
- The sample volume is large, and the electrophoresis detection of 200 samples can be carried out at one time
- Patented glass clamp and support mechanism, more convenient for gel pouring operation
- Can be directly assembled to the electrophoresis tank without removing the glass clip
- The new fastening device is more convenient and quick to attach the gel glass plate to the electrophoresis tank
- The protective cover of the platinum electrode can effectively prevent the platinum wire from being damaged
- Patented 360-degree rotatable positioning device, no need to move the electrophoresis tank when loading samples
- The upper and lower slots are equipped with transparent safety covers, and the upper slot safety cover is equipped with cooling holes
- Can be connected to cooling circulating water, constant temperature
- Equipped with a special air bubble hook, which can easily remove the air bubbles generated during glue making

Technical Parameters

Glass size: 33.8*12cm

Gel size: 30*10.5cm

Sample throughput: 102, 68 can be used to add samples

Glue filling method: default horizontal glue filling

Adaptive power supply

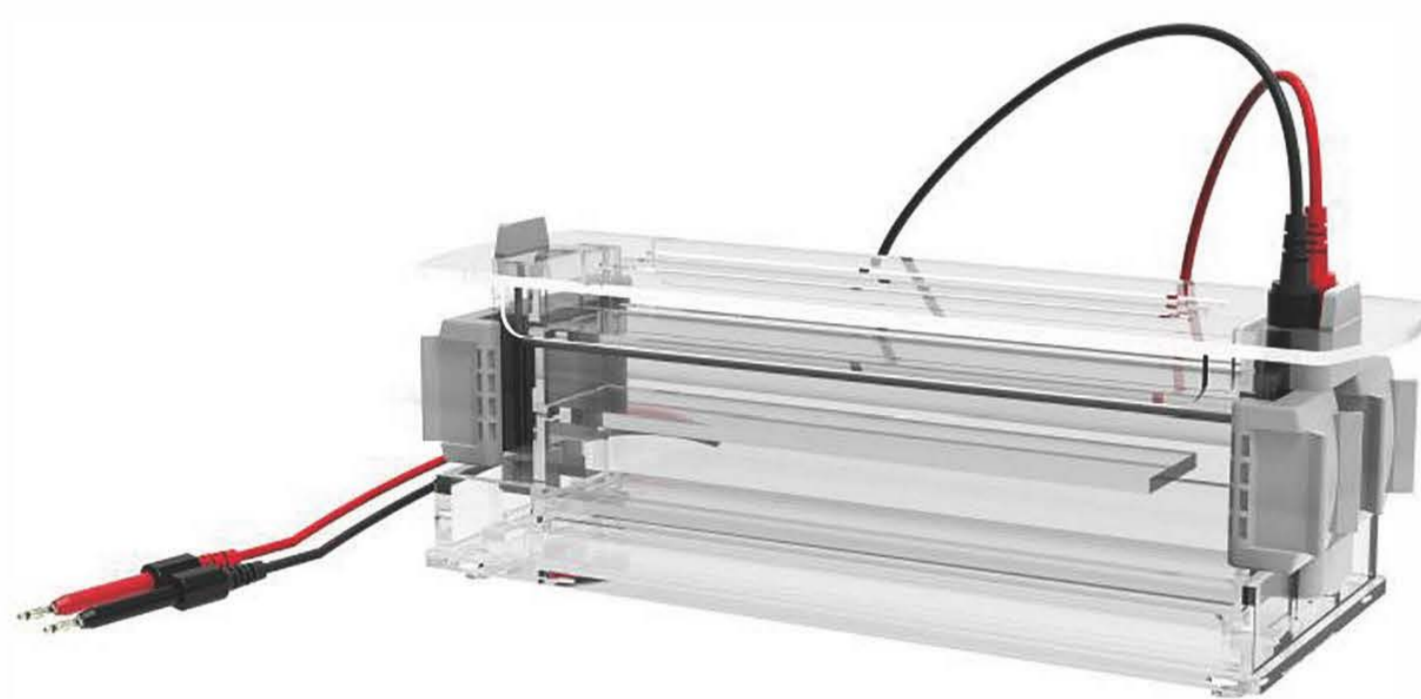
HT-600C : Can run two electrophoresis tanks at the same time

HT-600D : Can run four electrophoresis tanks at the same time

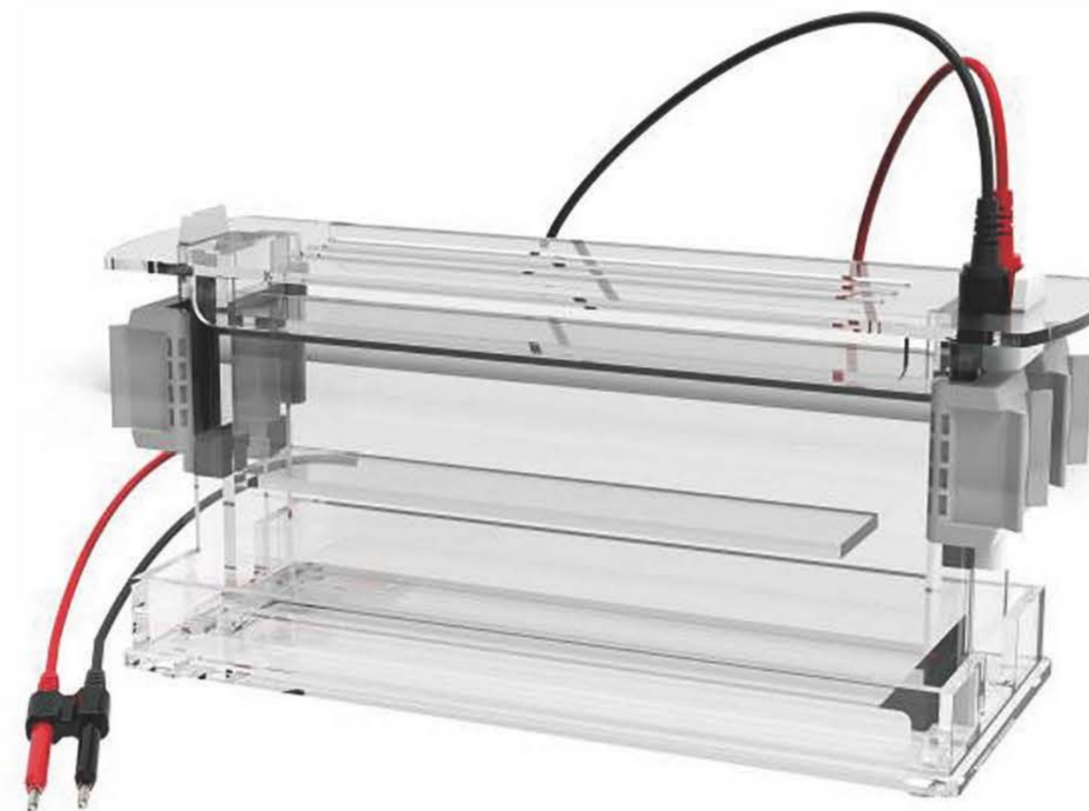
Standard configuration

Parts Name	Unit	Qty
Lid with cables	Set	1
Body tank	pc	1
Swivel base	pc	1
Gel Plate Holder	Set	2
Gel glass concave	pc	2
Gel glass plate	pc	2
102-tooth sampling comb	pc	2
68-tooth sampling comb	pc	2
Circulating water pipe	pc	2
Bubble hook	pc	2

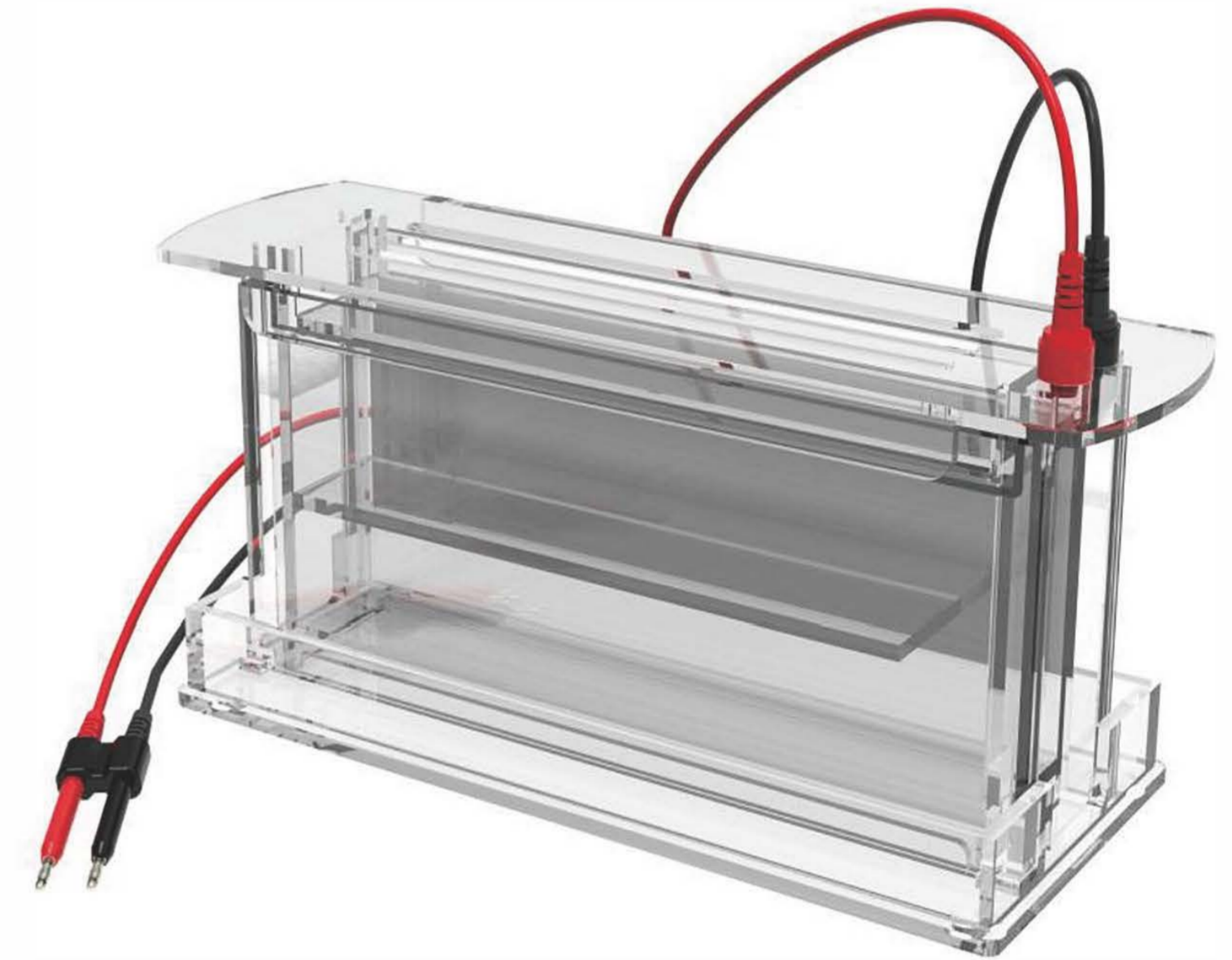
High throughput electrophoresis



HT-Scz04A



HT-Scz04A+



HT-Scz04B1

HT-Scz04C

Fast SSR high-throughput vertical electrophoresis tank series

● This series of products is designed for large-scale DNA analysis through methods such as SSR or RAPD

● Designed for molecular marker purity of bulk samples

● Especially suitable for genetics, breeding, seed purity testing and authenticity testing.

Features

● The amount of testing samples is large, and the maximum loading capacity of a double-plate electrophoresis tank is 200.

● With HT-600D high-current output power supply, one power supply can serve four electrophoresis machines at the same time

● The tank is powered to meet the needs of high-throughput detection and greatly reduce the purchase cost of the instrument.

● Three sets of high-purity platinum electrodes provide a stable electric field

● It can be connected to cooling circulating water, constant electrophoresis temperature, and higher voltage electrophoresis can be used.

Technical Parameters

Gel size

HT-Scz04A : 30*8.5cm

HT-Scz04A+ : 30*10.5cm

HT-Scz04B1 : 30*13cm

HT-SCZ04C : 30*19cm

Sample throughput: 102, 68 can be used to add samples

Adaptive power supply

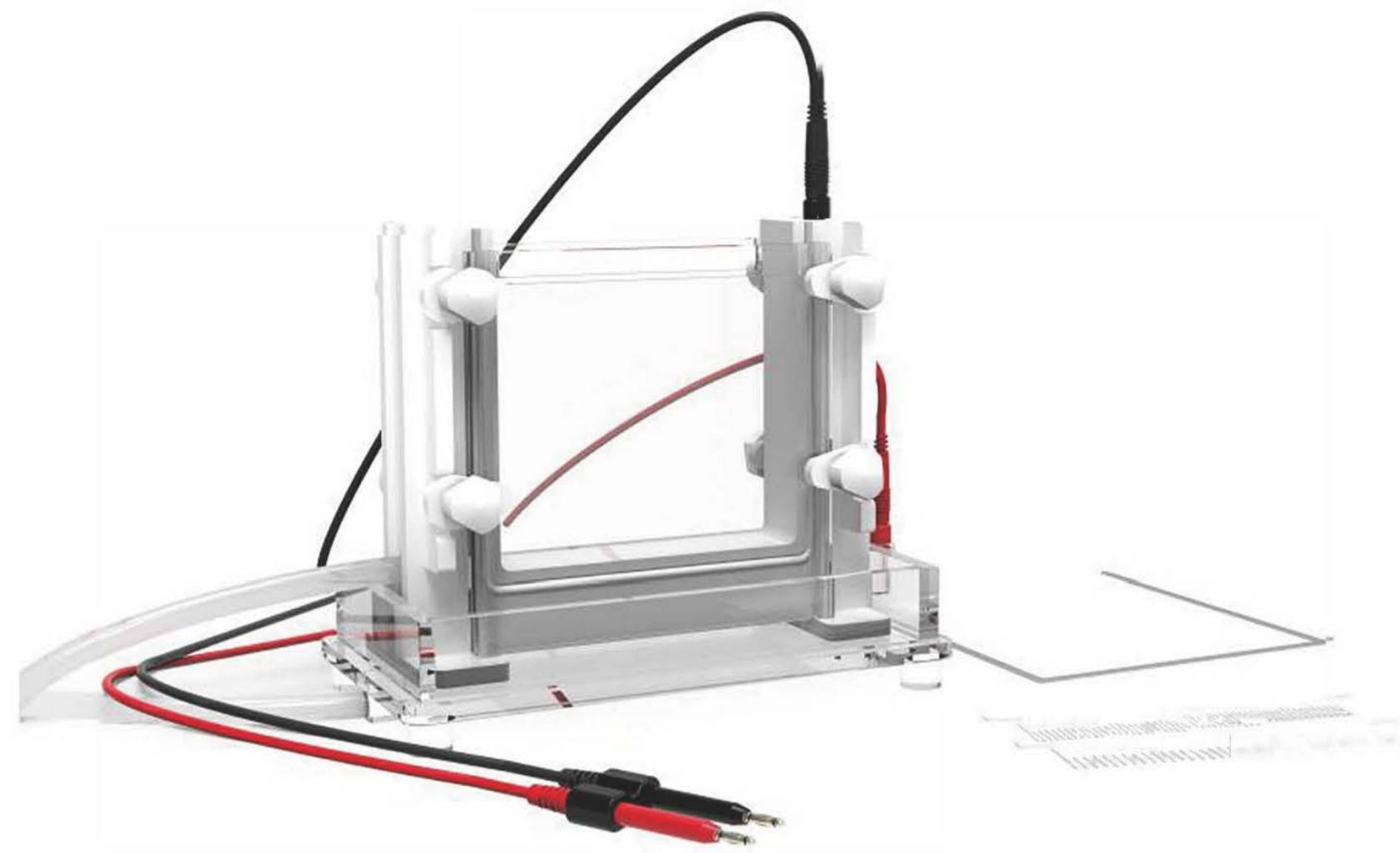
HT-600C : Can run two electrophoresis tanks at the same time

HT-600D : Can run four electrophoresis tanks at the same time

Standard configuration

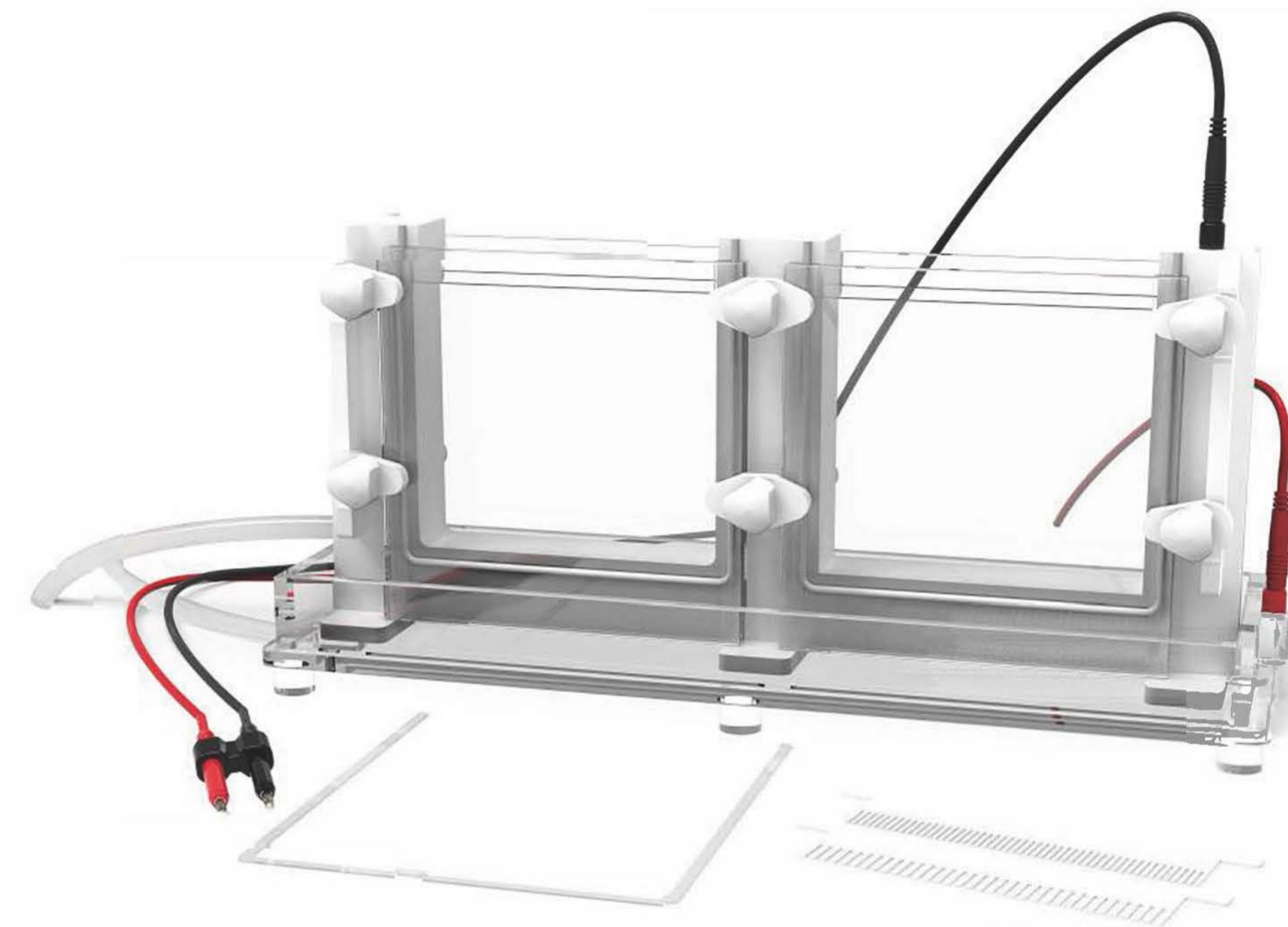
Sparts name	Unit	Qty
Lid with cables	Set	1
Body tank	pc	1
Cable	pc	2
Gel glass concave	pc	2
Gel glass plate	pc	2
102-tooth sampling comb	pc	2
68-tooth sampling comb	pc	2
Stationery folder	pc	8
Circulating water pipe	pc	1
bubble hook	pc	2

Vertical Electrophoresis



HT-Scz02

vertical electrophoresis tank (double plates)



HT-Scz03

vertical electrophoresis tank (four plates)

Applicable to gel electrophoresis of various proteins and SSR molecular markers
It can electrophoresis 2-4pieces medium-sized gel at the same time, meet the needs of high-throughput electrophoresis

Thickened gel glass plate, solid and durable

Integrated design of concave plate and edge strip

Special sealing mold to ensure no glue leakage
The buffer discharge outlet of the upper and lower tanks, easy to remove residual liquid

No additional electric field interference on both sides, with straight stripes

99.99% high-purity platinum electrode with optimal conductivity

Technical Parameters:

Glass plate size: 18×18cm

Gel size : 15×15cm

Gel thickness: 1.0mm

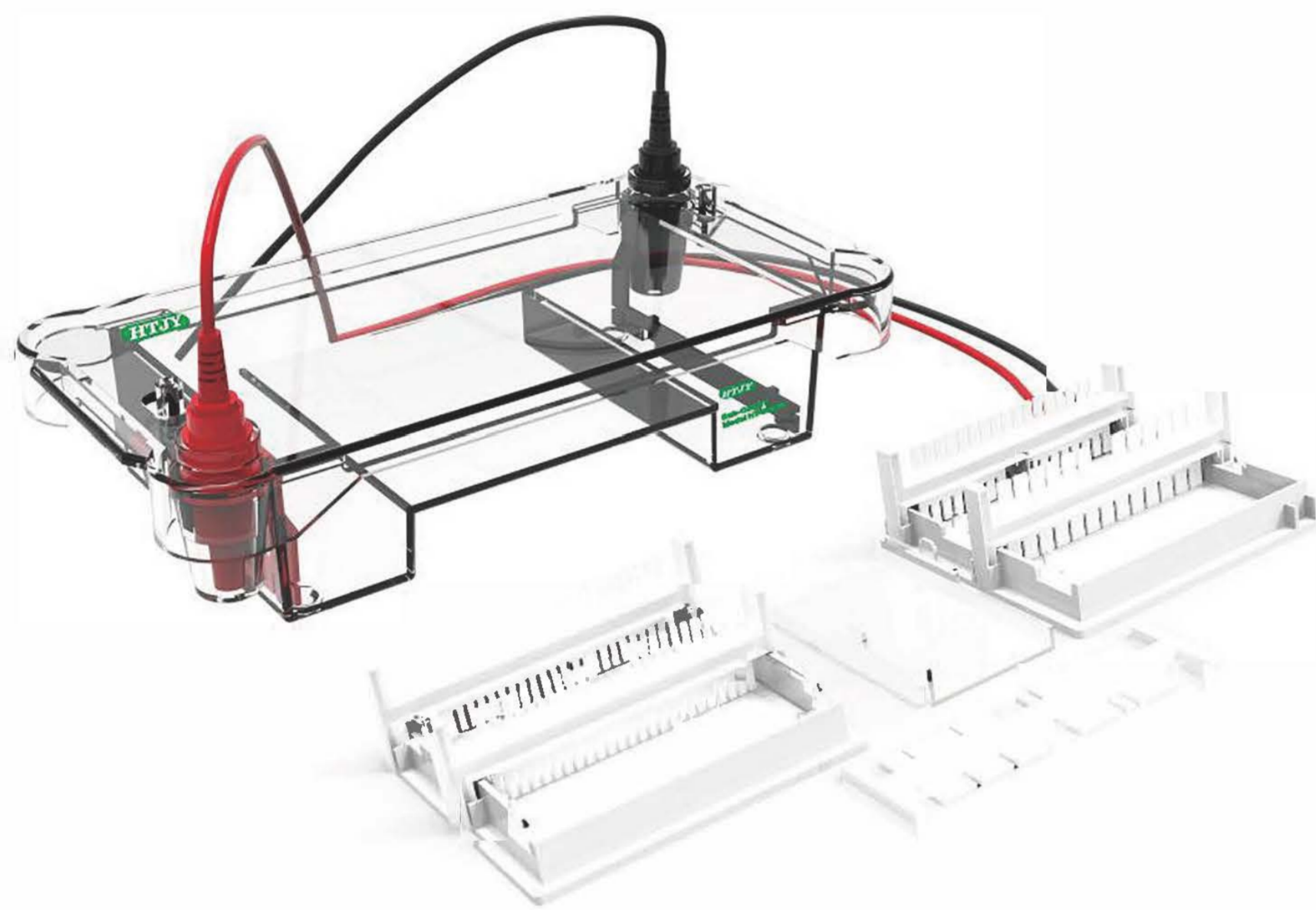
Sample comb: 20、34、50 (optional, add samples for multi-channel pipettes)

Standard configuration (HT-Scz02)

Name	Unit	Qty
Body tank	pc	1
Gel glass concave	pc	2
Gel glass plate	pc	2
20-well comb	pc	2
34-well comb	pc	2
Drainage pipe	pc	2
cables	pc	1
Sealing frame	pc	2
Stationery folder	pc	8

HT-Scz03 standard configuration, except for the main body of the electrophoresis tank, drainage pipes, and cables, twice the standard configuration of HT-Scz02

Agarose Gel-Cell



HT-Sub02

Suitable for rapid separation, identification, preparation of DNA, and determination of its molecular weight
 Polycarbonate injection molding, no leakage
 Four different sizes of gels can be made, and two types of gel makers are optional
 Limit function to prevent reverse installation of positive and negative electrodes
 Detachable electrodes for easy replacement and maintenance
 99.99% high-purity platinum electrode, the best conductivity, anti-aging
 Optional HT10LG electrophoresis monitor, real-time monitoring of electrophoresis bands (as shown on the right)

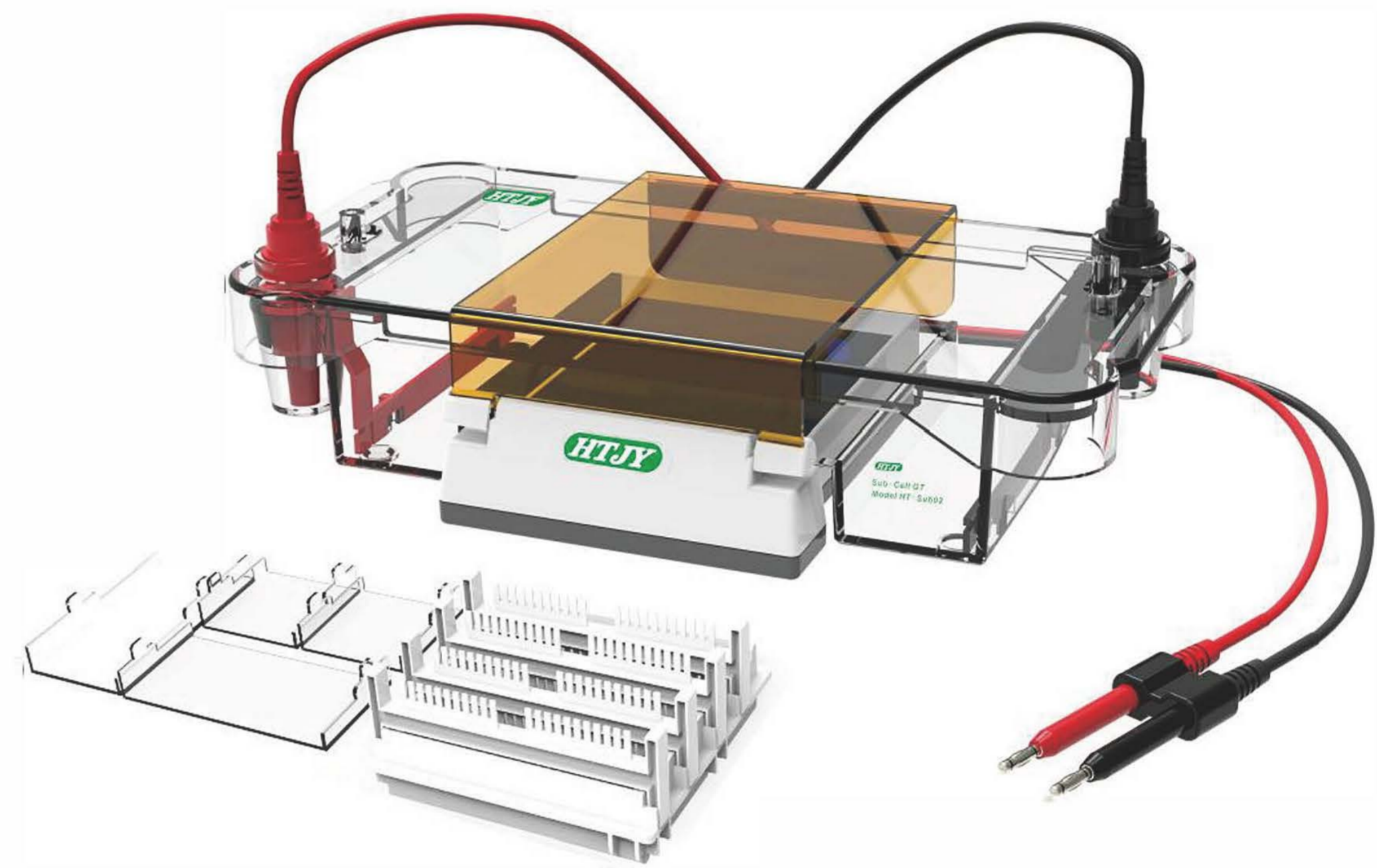
Technical Specification:

Gel size (W*L) :120*120mm/120*60mm
 60*120mm/60*60mm

Sample comb: 2+3 well / 6+13 well / 8+18 well / 11+25 well (add samples for multi-channel pipettes)

Standard configuration: The gel boxes for large gel and small gel are designed separately. The big gel can hold up to two rows of combs. There is a background ribbon at the bottom of the tray, convenient for observation and sampling

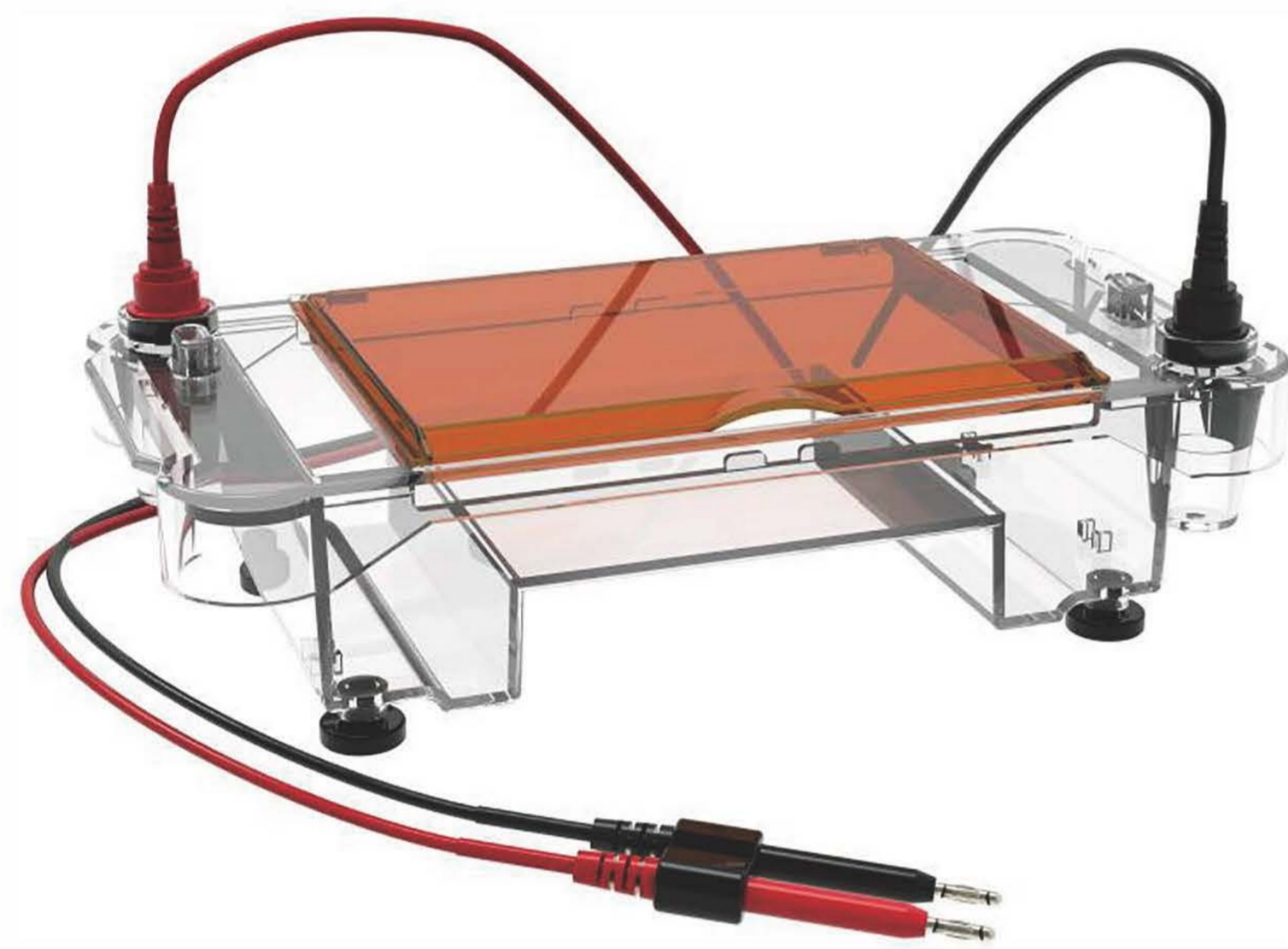
Optional: The large gel and the small gel box are designed as one front and back, the big gel can hold up to four rows of combs at a time, Fluorescent ruler on the bottom of the tray



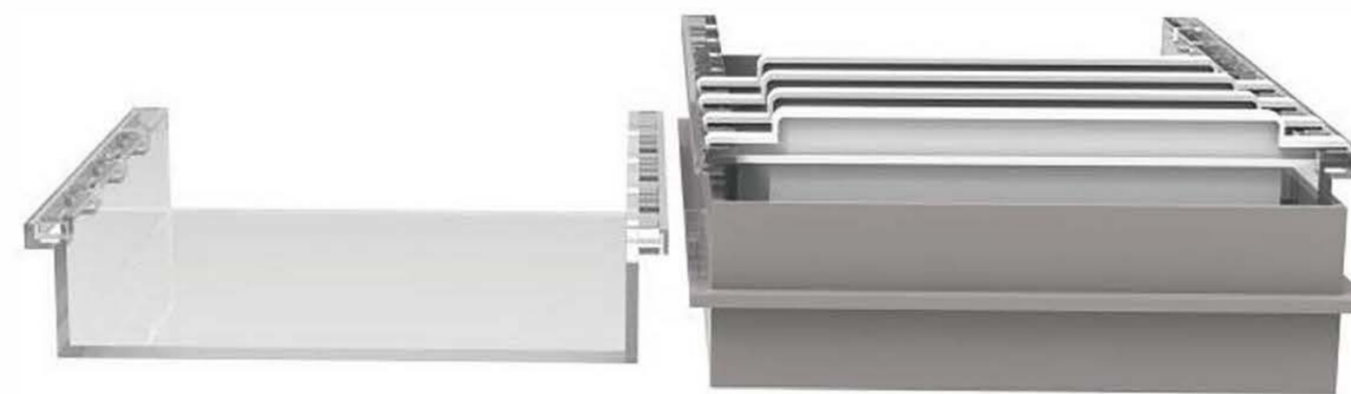
Standard configuration:

Name	Unit	Qty
Lid with cables	set	1
Body tank with electrodes	set	1
Gel box (large gel)	pc	1
Gel box (small gel)	pc	1
Large gel tray (120*120)	pc	1
Wide gel tray (120*60)	pc	1
Long gel tray (60*120)	pc	1
Small gel tray (60*60)	pc	2
Sample comb: 2+3 well	pc	1
Sample comb: 6+13 well	pc	2
Sample comb: 8+18 well	pc	2
Sample comb: 11+25 well	pc	2

Agarose Gel-Cell



HT-Sub03



HT-Sub03+

Suitable for nucleic acid electrophoresis, separation and identification of DNA and determination of its molecular weight.
 Polycarbonate high-strength transparent plastic injection molding, no leakage, impact resistance.
 Professional shielding blue light clamshell design, open the cover can effectively dissipate heat.
 With the blue light electrophoresis monitor, it can effectively shield blue light and observe clear bands.
 The bottom level adjustment knob can adjust the level of the electrophoresis tank. Two different gel sizes, meet the needs of general and high-throughput electrophoresis. The front and back design of the gel box, can save space.
 99.99% high-purity platinum electrode, the best conductivity.
 HT-Sub03+ is an integrated blue light transmission device added on the basis of HT-Sub03.
 Blue LED wavelength 470nm, combined with blue light dye, it can monitor the electrophoresis process in a timely manner.
 The blue light can be automatically disconnected in 5 minutes, prevent long-term lighting from affecting the life of the LED lamp bead.

Technical Specification:

Gel size (W*L) :130*200mm、130*150mm

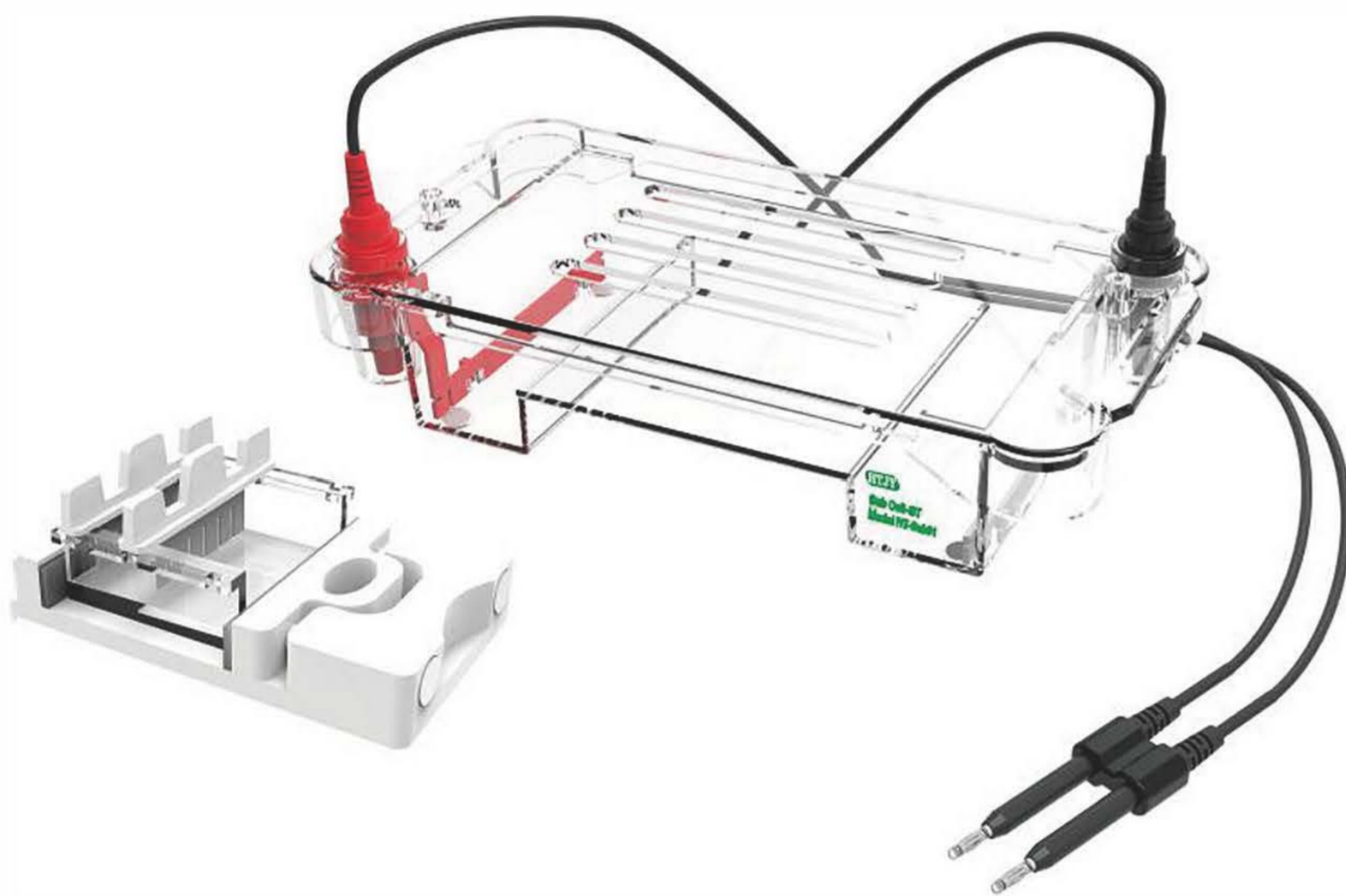
Sample comb: 1.0mm 14, 18, 26 wells
 1.5mm 18-well

Buffer volume: 800mL

Standard configuration:

Name	Unit	Qty
Lid with cables	set	1
Body tank with electrodes	set	1
Gel box (large gel)	pc	1
Large gel tray (130*200)	pc	1
Small gel tray (130*150)	pc	1
1.0mm thickness 14 wells comb	pc	2
1.0mm thickness 18 wells comb	pc	2
1.0mm thickness 26 wells comb	pc	2
1.5mm thickness 18 wells comb	pc	2

Agarose Gel-Cell



HT-Sub01

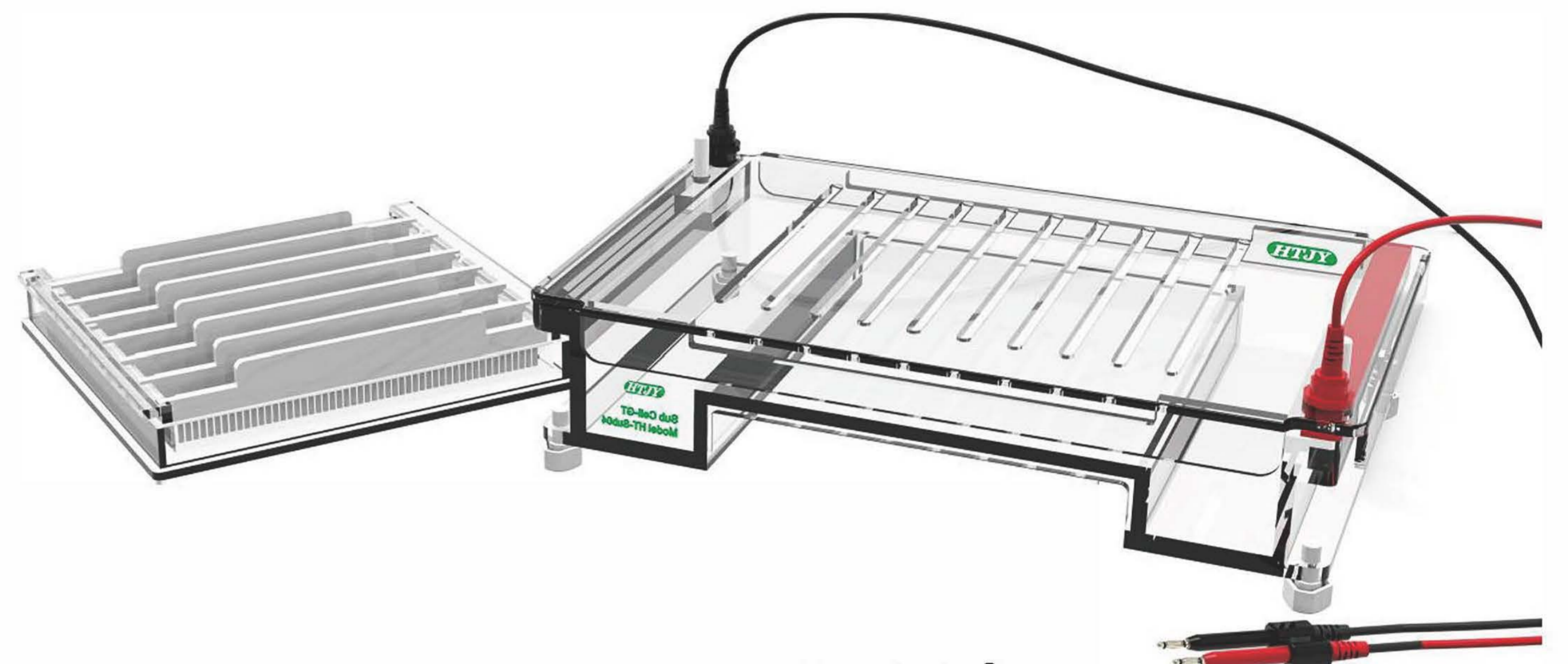
Suitable for rapid separation, identification, preparation of DNA, and determination of its molecular weight.
 Polycarbonate injection molding, no leakage.
 The heat dissipation hole design on the upper cover effectively prevents condensation of water vapor.
 Dedicated telescopic elastic glue maker, ensuring cleanliness and no glue leakage
 Limit function, effectively preventing reverse installation of positive and negative electrodes. Detachable electrodes for easy replacement and maintenance.
 99.99% high-purity platinum electrode, the best conductivity, anti-aging.

Technical Specification:

Gel size: (W*L) :60*75mm
 Sample comb : 1.0/1.5mm 6/11wells
 Buffer volume : 300mL

Standard configuration:

Name	Unit	Qty
Lid with cables	set	1
Body tank with electrodes	set	1
Gel box	pc	1
Gel tray	pc	1
1.0mm thickness 6 wells comb	pc	2
1.0mm thickness 11 wells comb	pc	2
1.5mm thickness 6 wells comb	pc	2
1.5mm thickness 11 wells comb	pc	2



HT-Sub04

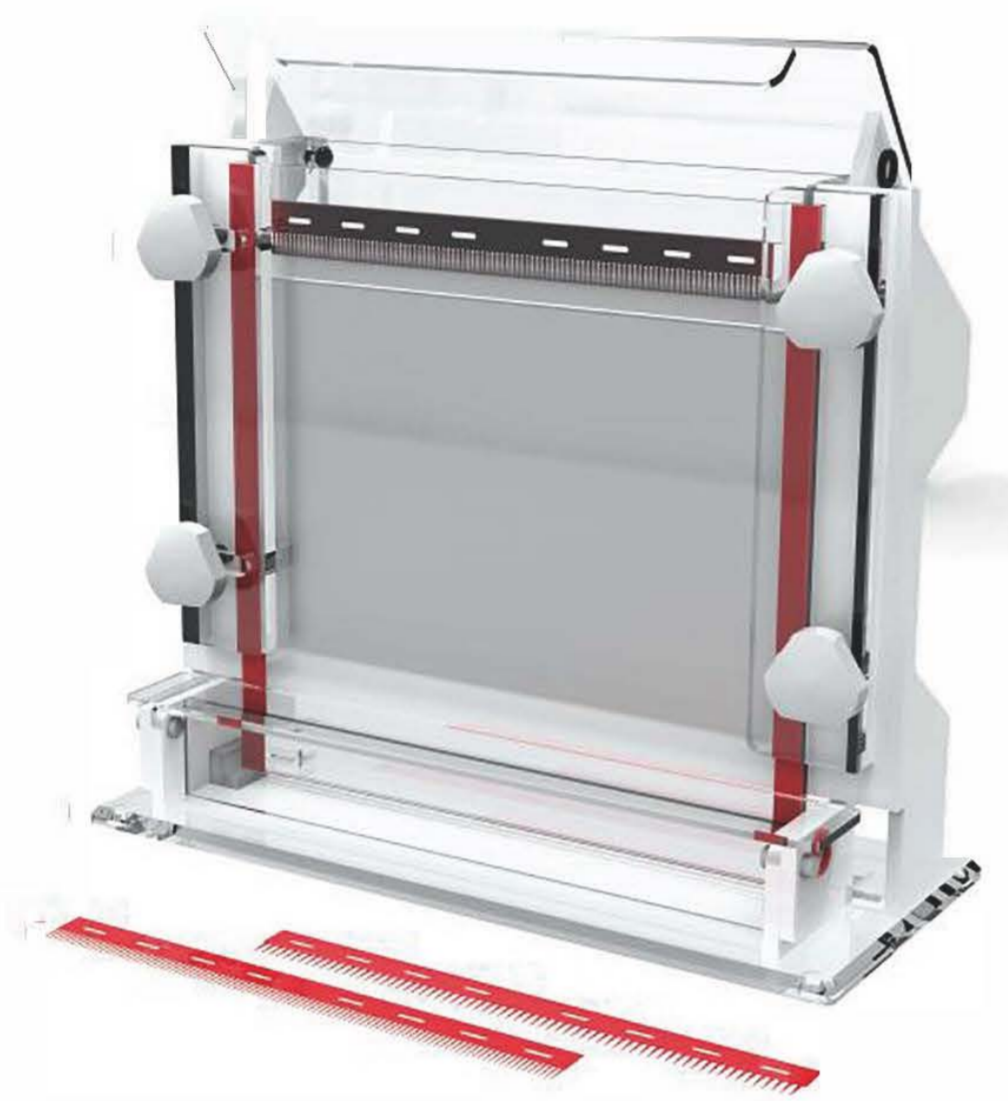
Suitable for high-throughput nucleic acid horizontal electrophoresis Up to 350 samples can be electrophoresed at one time
 Gel plate positioning card slot can be evenly divided into 4 rows/7 rows of sample combs
 Special gel box, easy to make glue
 The opening design of the upper cover can dissipate heat and avoid steam condensation
 The bottom adjustment knob can effectively adjust the level of the electrophoresis tank
 99.99% high-purity platinum electrode, the best conductivity

Technical Specification:
 Gel size (W*L) : 245*250mm
 Sample comb: 26、52wells (add samples for multi-channel pipettes)
 Buffer volume: 1600mL

Standard configuration:

Name	Unit	Qty
Lid with cables	set	1
Body tank with electrodes	set	1
Gel box	pc	1
Gel tray	pc	1
1.0mm thickness 26 wells comb	pc	4
1.0mm thickness 52 wells comb	pc	7

Sequencing electrophoresis-Cell



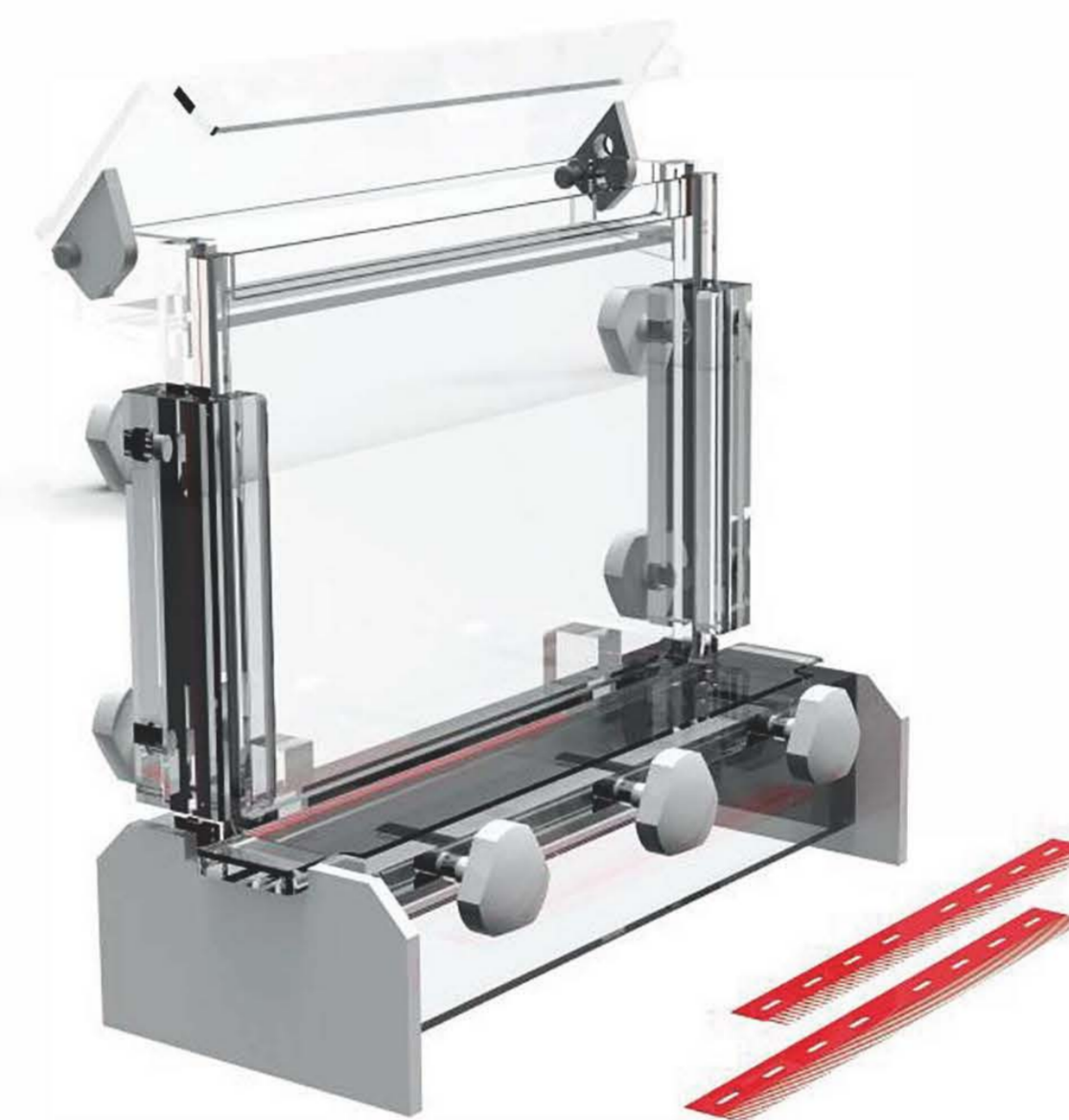
HT-CX01

Suitable for SSR, AFLP, SSCP, HA and other experiments
 Pure flat aluminum plate treated by special process, dissipate heat evenly, band without "smile" phenomenon
 Large sample volume, 96 PCR samples can be electrophoresed at one time, improving work efficiency
 High-quality red shark tooth comb, easy to observe and load samples, not easy to change samples
 The buffer outlet of the upper tank and the movable bottom tank, easy to remove buffer
 The upper and lower tank covers are designed to open the cover and cut off the power, ensure the safety of the experiment
 99.99% high-purity platinum electrode, the best conductivity

Technical Specification:

Glass size: 35*35cm
 Sample comb: 68、100wells
 Buffer volume: 750mL

Name	Unit	Qty
Body tank	pc	1
Gel glass concave	pc	2
Gel glass plate	pc	2
Shark tooth comb 68-well	pc	2
Shark tooth comb 100-well	pc	2
Spacer	pc	4
Cable	pc	1



HT-CX02

Using buffer cooling method, the gel temperature is uniform, and the strips are neat, no deformation
 Large sample volume, 96 PCR samples can be electrophoresed at one time, improving work efficiency
 High-quality red shark tooth comb, easy to observe and load the sample, no sample change
 There are buffer outlets in the upper and lower tanks, which is convenient for cleaning the buffer
 Open the cover and cut off the power to ensure the safety of the experiment
 99.99% high-purity platinum electrode, the best conductivity and corrosion resistance

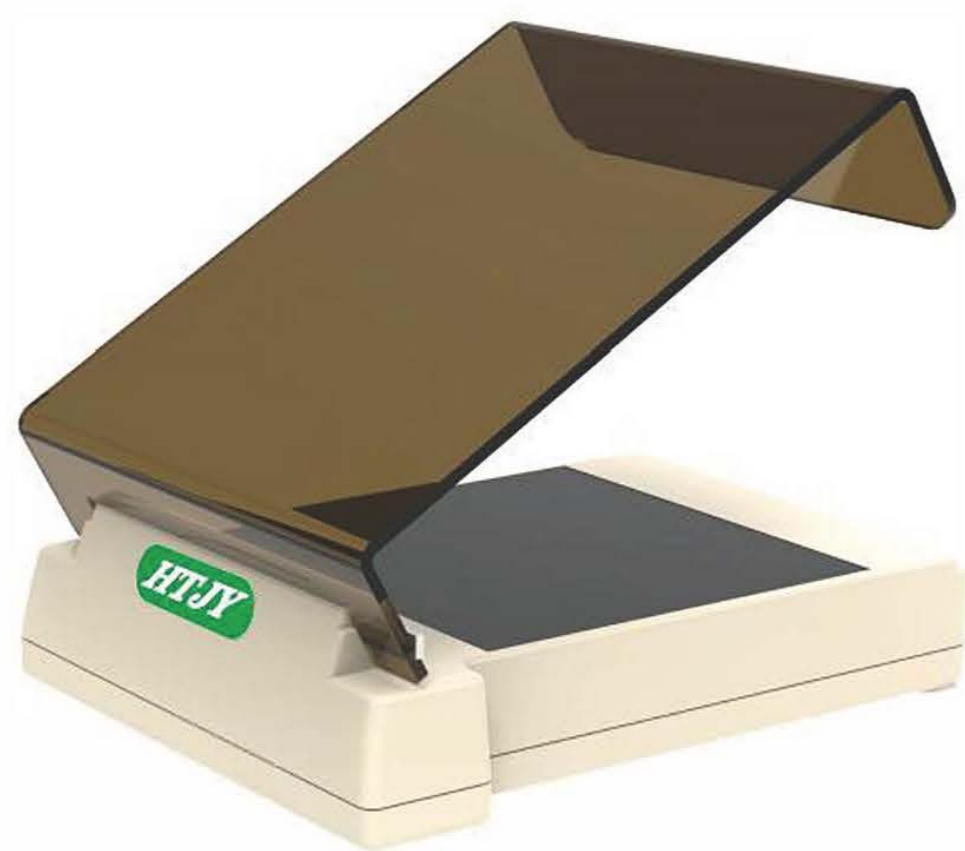
Technical Specification:

Glass size (W*L) : 38*32cm
 Sample comb: 68、100wells
 Buffer volume: 1500mL

Standard configuration

Name	Unit	Qty
Body tank	pc	1
Gel glass concave	pc	2
Gel glass plate	pc	2
Shark tooth comb 68-well	pc	2
Shark tooth comb 100-well	pc	2
Spacer	pc	4
Cable	pc	1

Watch the GEL Cut the GEL Device



HT-10LG

Blue Light Electrophoresis Monitor

Suitable for real-time monitoring of electrophoresis bands during agarose level nucleic acid electrophoresis,

Suitable for HT-SUB02 and 03 horizontal electrophoresis tanks, and can also be used in conjunction with similar products from other manufacturers

Suitable for various blue light dye reagents

Technical Specification:

Matrix LED blue light source, wavelength 470nm

Reflection size: 130 * 130mm

Automatically turn off the light source in 5 minutes



HT-100Y

Blue Light Gel Cutting Device

Suitable for observation and detection of gel bands after nucleic acid electrophoresis and gel cutting operation

The bottom transmits 470nm blue light, avoiding scattering and diffraction interference caused by luminescence measurement, and improving the quality of observation and photography
LED blue light source is safer than UV irradiation and will not cause damage to the eyes and skin, as well as damage to the sample

Can meet the vast majority of dye reagents

The aluminum alloy shell is stable, beautiful, and durable

The filter plate effectively filters out blue light and can be stopped at any angle

Automatically cut off the light source in 5 minutes

Reflection size: 150 * 200mm



HT04

White Light Gel Watching Device

Applicable to the observation and photography of SDS-PAGE protein electrophoresis gel and SSR and other large polyacrylamide gel bands, LED white light source and professional light guide plate make the white light more uniform, and the light source intensity is adjustable.

A dedicated photography device, with adhesive images stored in a computer and without distortion.

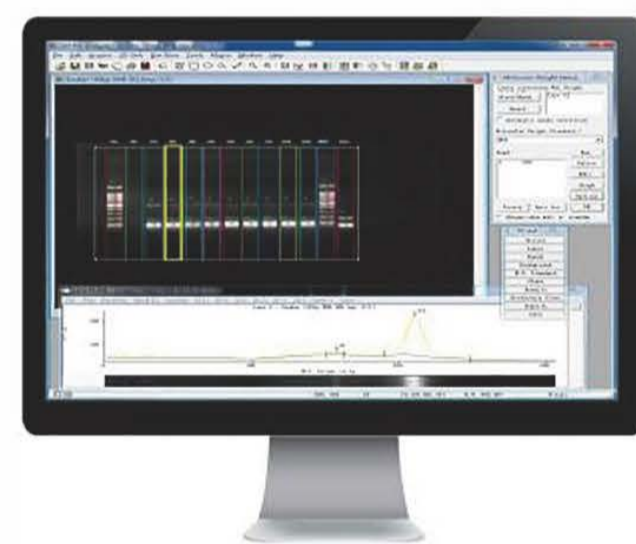
Large viewing area, which can meet the comparison, observation and photography of gel of different sizes

Toughened glass panels are sturdy, durable, and easy to clean

Reflection size: 330*270mm

Pixel: 8 megapixels

Gel Imaging System



HT 8500 Automatic Gel Imaging System

Characteristics:

- Fully sealed modular integrated circuit, enhancing stability
- Professional gel shooting and analysis software, easy to operate
- Software high-definition preview window for observing real-time experimental result
- Corrosion-resistant metal dark box, anti-static and anti-interference, increasing safety
- Ultraviolet micro distance sensing intelligent power outage protection function, more secure
- Push-pull drawer door opening, strong airtightness of the dark box, reducing pollution area
- Integral shooting, can expose samples for a long time, can perform image overlay processing, and better present weak nucleic acid fluorescent bands
- Lens: Imported 6x optical zoom, motorized three-variable large-aperture Qualcomm lens
- Drawer type UV transilluminators: UV302nm, standard configuration 22*22cm
- Equipped with a professional protective cover for cutting gel, more safe and quick
- Built-in white light transmission plate, 21*31*0.7cm
- Optical fiber Luminescence technology, uniform optical density, 12V safety voltage
- White light reflector: double-sided high-brightness LED integrated light source, low power consumption, long life
- Filter: 590nm special imported coated filter for gel
- Software: Gel professional shooting analysis software

Software function:

- Full English operation interface.
- The software has an encryption function to increase the security of experimental data.
- Direct control of digital CCD and zoom lens, exposure time, aperture, focus
- Image editing and processing functions: including image editing, deletion, pasting, copying, adding text, symbols, rotation, negative effects, black and white inversion, etc.
- It can be stained with various gel dyes such as EB, and can automatically identify band patterns or lanes of images such as DNA, RNA, protein gel, ELISA, TLC, and dot hybridization, and perform autoradiographic film imaging and analysis, and colony imaging and analysis, and automatically determine the molecular weight, IOD value, optical density value, etc.
- Real-time automatic exposure function, get the best image effect
- Various data tables can be saved in Excel format and printed,
- All images can be copied, pasted and printed,
- All images and charts can be imported into files in various formats such as Excel and Word for editing;
- Software lifetime free network upgrades.

Technical Specification:

- Effective pixels: 2560*1920
- Resolution: 500million
- Pixel density: 16Bit
- Exposure time: 1ms-180ms
- Sensitivity: Can detect less than 20pgEB stained double-stranded DNA

Gel Imaging System



HT8500YT Integrated automatic gel imaging system

Characteristic:

Built-in industrial PC, stable operation
Fully sealed modular integrated circuit to enhance stability;
Professional gel shooting and analysis software, easy to operate
The high-definition preview window of the software can observe the real-time experimental results, which is more convenient
Corrosion-resistant metal dark box, anti-static and anti-interference, increasing safety
Ultraviolet macro-sensing intelligent power-off protection function, safer operation
Push-pull drawer door opening, strong airtightness of the dark box, maximizing the reduction of pollution areas
Push-pull drawer door opening, strong airtightness of the dark box, maximizing the reduction of pollution areas

Built-in industrial PC:

Processor: Intel 1037U Atom Dual Core 1.8GHz
Memory: DDR3 2G
Hard disk: SATA 120G electronic disk
USB: 4 group external USB
Serial port: 5 groups com232 serial ports/1 group con485 ports
Network port: RTL8111 controller, dual gigabit network ports

Resistive touch screen

Resolution: 4096x 4096
Integral shooting, can expose samples for a long time, can perform image overlay processing, and better present weak nucleic acid fluorescent bands
Lens: Imported 6x optical zoom, motorized three-variable large-aperture Qualcomm lens
Drawer type UV transilluminators: UV302nm, standard configuration 22*22cm
Equipped with a professional protective cover for cutting gel, more safe and quick Built-in white light transmission plate, 21*31*0.7cm
Optical fiber Luminescence technology, uniform optical density, 12V safety voltage
White light reflector: double-sided high-brightness LED integrated light source, low powerconsumption, long life
Filter: 590nm special imported coated filter for gel
Software: Gel professional shooting analysis software

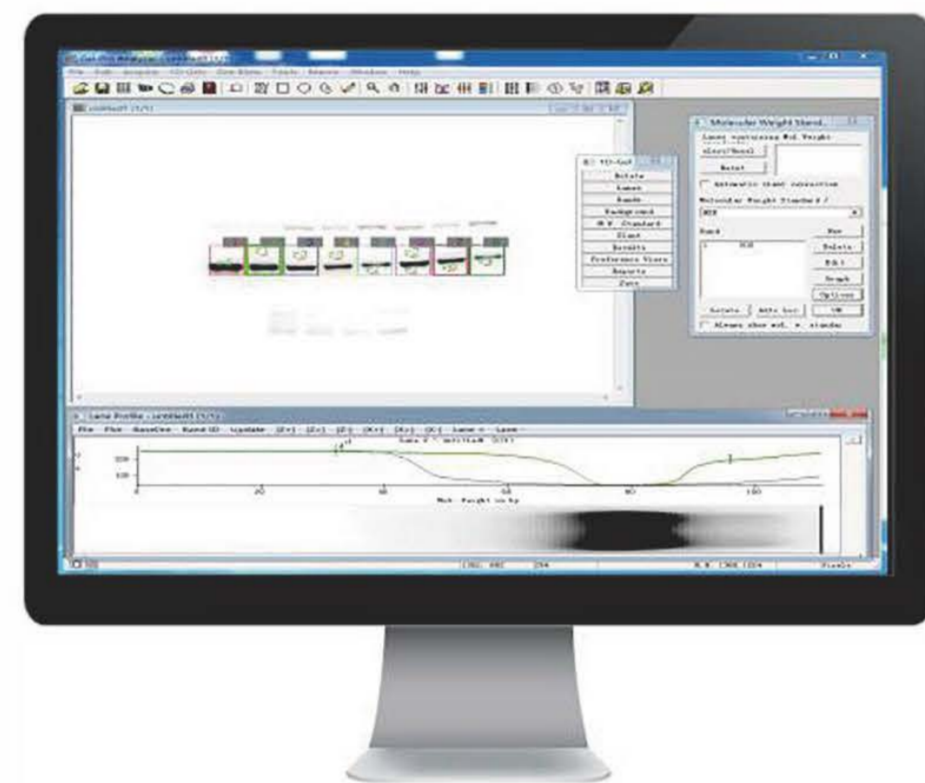
Software function:

Full English operation interface.
The software has an encryption function to increase the security of experimental data.Direct control of digital CCD and zoom lens, exposure time, aperture, focus.
Image editing and processing functions: including image editing, deletion, pasting, copying, adding text, symbols, rotation, negative effects, black and white inversion, etc.
It can be stained with various gel dyes such as EB, and can automatically identify band patterns or lanes of images such as DNA, RNA, protein gel, ELISA, TLC, and dot hybridization, and perform autoradiographic film imaging and analysis, and colony imaging and analysis, and automatically determine the molecular weight, IOD value, optical density value, etc.
Real-time automatic exposure function, get the best image effect
Various data tables can be saved in Excel format and printed,
All images can be copied, pasted and printed,
All images and charts can be imported into files in various formats such as Excel and Word for editing;
Software lifetime free network upgrades.

Technical Specification :

Effective pixels: 2560*1920
Resolution: 5 millions
Pixel density: 16Bit
Exposure time: 1ms-180ms
Sensitivity: Can detect less than 20pgEB stained double-stranded DNA

Chemiluminescence Imaging system



HT6000mini Chemiluminescence Imaging System

Shooting software functions:

Preview function, which allows for pre-exposure in advance. If the sample intensity is high, images can be directly taken.

Automatic exposure shooting, no need to adjust other parameters such as exposure time, just click on shooting to obtain perfect images, which is more convenient and fast.

The software is with automatic image optimization function, automatical adjust the histogram; The grayscale of the image can be manually adjusted on the shooting interface, with the save function.

Predefined parameter settings, storage path can be set in advance, black and white reverse, horizontal reverse, and vertical reverse can be set.

The temperature of the CCD can be set.

Image management function, which can achieve black and white inversion, mark stacking functions, and manually adjust color levels, and save modified images.

Analyzing Software:

It has a series of image analysis functions such as rotation, inverse color, cropping, contrast, etc.

According to the Marker band, the molecular weight, OD value and band content of any band can be automatically calculated, and the optical density can be calculated for the specified area.

Suitable for quantitative analysis of proteins.

All analysis results and data charts can be exported to Excel, Word, etc. for easy storage and comparison.

Characteristic:

Professional shooting and analysis software, one-click imaging.

Pixel Binning function to improve sensitivity and signal-to-noise ratio.

F0.8 lens, the largest aperture in the industry, captures weak signals.

LED integrated light source, low power consumption, long life, uniform illumination, adjustable intensity.

Imported high-sensitivity cold CCD camera. Real-time high-definition dynamic imaging. Corrosion-resistant metal dark box one-piece sealing design, anti-static and anti-interference.

Fully automatic computer control, integrated modular processor, improve safety and stability.

Technical Specification:

Resolution: 6.05 million pixels

CCD size: 1", progressive scan

Temperature: -60°C

Pixel size: $4.65\ \mu\text{m} \times 4.65\ \mu\text{m}$

Acquisition bit: 16bit

Lens

F0.8 fixed focus

White light reflector

Automatic control, adjustable brightness, LED integrated light source on both sides